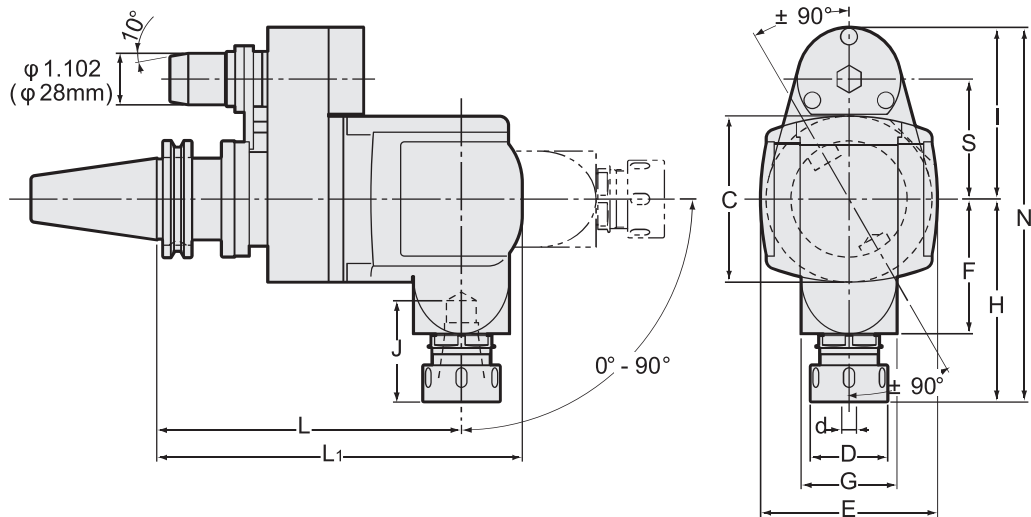


AHSE, AHLE

0-90° (Flexible Type)

Angle Heads (ER Collet Type)

0 - 90° Flexible Type



※ Requires a positioning block. Please refer to PLG 26-27.

Unit : Inch



Code	Model	d	L	L1	D	C	E	F	G	H	J	I	N	S
2084 041166 ※※	CAT40 -AHSE11 -165 -65- ※※	0.020 -0.276	6.496	7.795	0.906	3.543	3.780	2.874	2.047	3.937	2.559	3.661	7.598	2.559 (65mm)
2084 041666 ※※	-AHSE16 -165 -65- ※※	0.020 -0.394	6.496	7.795	1.260	3.543	3.780	2.874	2.047	4.331	2.559	3.661	7.992	2.559 (65mm)
2084 042066 ※※	-AHSE20 -165 -65- ※※	0.020 -0.512	6.496	7.795	1.378	3.543	3.780	2.874	2.047	4.331	2.165	3.661	7.992	2.559 (65mm)
2084 042566 ※※	-AHSE25 -165 -65- ※※	0.020 -0.630	6.496	7.795	1.654	3.543	3.780	2.874	2.047	4.331	2.165	3.661	7.992	2.559 (65mm)
2084 051168 ※※	CAT50 -AHSE11 -165 -80- ※※	0.020 -0.276	6.496	7.795	0.906	3.543	3.780	2.874	2.047	3.937	2.559	4.252	8.189	3.150 (80mm)
2084 051668 ※※	-AHSE16 -165 -80- ※※	0.020 -0.394	6.496	7.795	1.260	3.543	3.780	2.874	2.047	4.331	2.559	4.252	8.583	3.150 (80mm)
2084 052068 ※※	-AHSE20 -165 -80- ※※	0.020 -0.512	6.496	7.795	1.378	3.543	3.780	2.874	2.047	4.331	2.165	4.252	8.583	3.150 (80mm)
2084 052568 ※※	-AHSE25 -165 -80- ※※	0.020 -0.630	6.496	7.795	1.654	3.543	3.780	2.874	2.047	4.331	2.165	4.252	8.583	3.150 (80mm)
2084 051161 ※※	-AHSE11 -165 -110- ※※	0.020 -0.276	6.496	7.795	0.906	3.543	3.780	2.874	2.047	3.937	2.559	5.433	9.370	4.331 (110mm)
2084 051661 ※※	-AHSE16 -165 -110- ※※	0.020 -0.394	6.496	7.795	1.260	3.543	3.780	2.874	2.047	4.331	2.559	5.433	9.764	4.331 (110mm)
2084 052061 ※※	-AHSE20 -165 -110- ※※	0.020 -0.512	6.496	7.795	1.378	3.543	3.780	2.874	2.047	4.331	2.165	5.433	9.764	4.331 (110mm)
2084 052561 ※※	-AHSE25 -165 -110- ※※	0.020 -0.630	6.496	7.795	1.654	3.543	3.780	2.874	2.047	4.331	2.165	5.433	9.764	4.331 (110mm)

Unit : Inch

Code	Model	d	L	L1	D	C	E	F	G	H	J	I	N	S
2084 152068 ※※	CAT50 -AHLE20 -165 -80- ※※	0.020 -0.512	6.496	8.071	1.378	4.331	4.646	3.071	2.598	4.724	2.953	4.252	8.976	3.150 (80mm)
2084 152568 ※※	-AHLE25 -165 -80- ※※	0.020 -0.630	6.496	8.071	1.654	4.331	4.646	3.071	2.598	4.724	2.953	4.252	8.976	3.150 (80mm)
2084 153268 ※※	-AHLE32 -165 -80- ※※	0.098 -0.787	6.496	8.071	1.969	4.331	4.646	3.071	2.598	4.724	2.953	4.252	8.976	3.150 (80mm)
2084 152061 ※※	-AHLE20 -165 -110- ※※	0.020 -0.512	6.496	8.071	1.378	4.331	4.646	3.071	2.598	4.724	2.953	5.433	10.157	4.331 (110mm)
2084 152561 ※※	-AHLE25 -165 -110- ※※	0.020 -0.630	6.496	8.071	1.654	4.331	4.646	3.071	2.598	4.724	2.953	5.433	10.157	4.331 (110mm)
2084 153261 ※※	-AHLE32 -165 -110- ※※	0.098 -0.787	6.496	8.071	1.969	4.331	4.646	3.071	2.598	4.724	2.953	5.433	10.157	4.331 (110mm)

Size	Collet	Nut	Spanner
AHSE11	ER11	HDP-07A	S-0
AHSE16	ER16	ERP-16	FK0030
AHSE20	ER20	ERP-20	FK0034
AHSE25	ER25	ERP-25	HS-1-16
AHLE20	ER20	ERP-20	FK0034
AHLE25	ER25	ERP-25	HS-1-16
AHLE32	ER32	ERP-32	HS-2-20

- ※ is for A dimension. Please refer to PLG 26.
- When ordering, please specify plunger size ("A" dimension).
- Center-thru coolant types are produced upon request.
- Plunger is fixed (non-adjustable)
- Collet and spanner are sold separately.

Collet MDE 3	Spanner ACC 13
	

Ordering Example

CAT40 - AHSE 11 - 165 - 65 - 06

Shank size Max. collet I.D. Projection length (L) S Dimension A